




Mastra Series

INSTRUCTIONS

Product parameters:

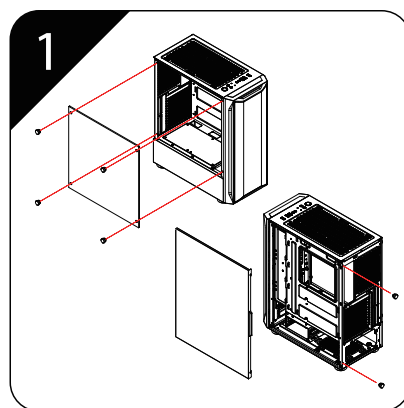
Product size	380*190*447mm
Packing size	500*245*445mm
Motherboard Support	ATX / M-ATX / I-ATX
Power support	ATX
CPU Limit	165MM
Graphics Limit	305MM
Harddisk Support	3.5"HDD*2; 2.5"SSD*2
Fan Support	Top: 120mm*2; Front:120mm*3; Rear:120mm*1; Bottom: 120mm*2
I/O Port	HD Audio;USB3.0*1;USB2.0*2
PCIE Slots	7

Accessory Package:

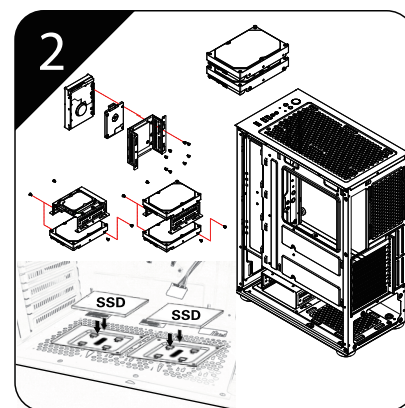
Diagram	Part name	Purpose	Number
	Flat head screw	Lock the powersupply or HDD	8
	Motherboard copper post	Motherboard	4
	Motherboard screw	Lock the motherboard or SSD	18



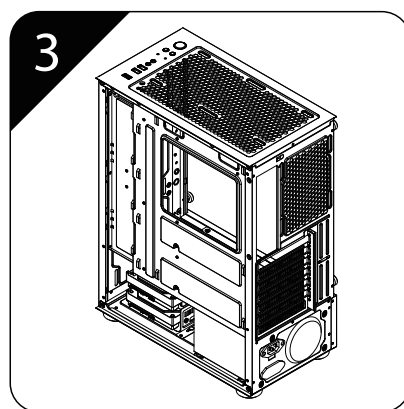
installation scheme:



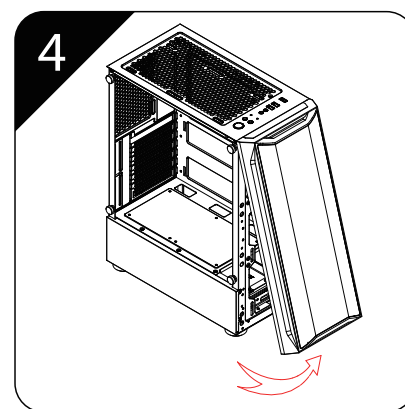
1 Remove the left and right side panels



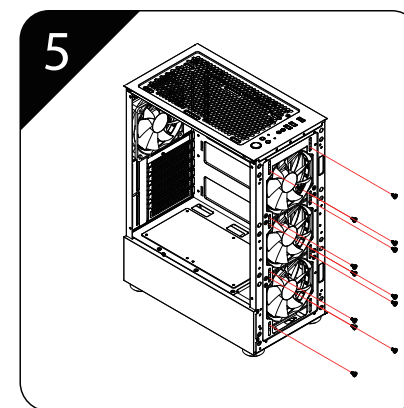
2 Take out the hard drive bay
install HDD and SSD



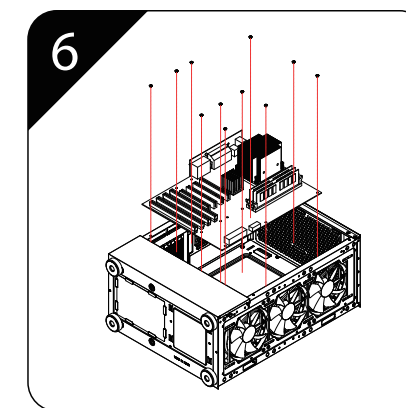
3 Install the power supply



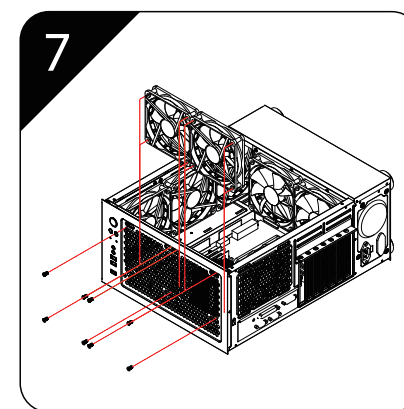
4 Open the front panel from below



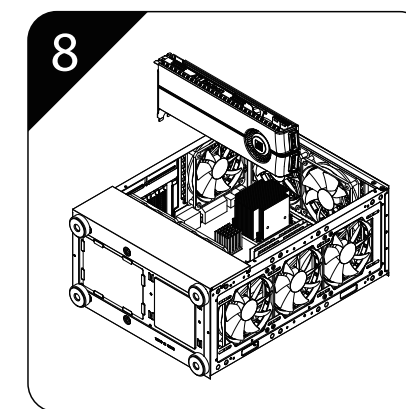
5 Install the front panel fan



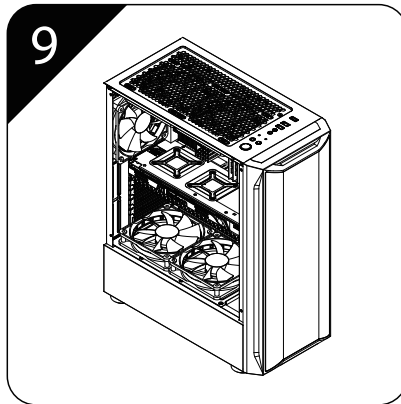
6 Install the motherboard



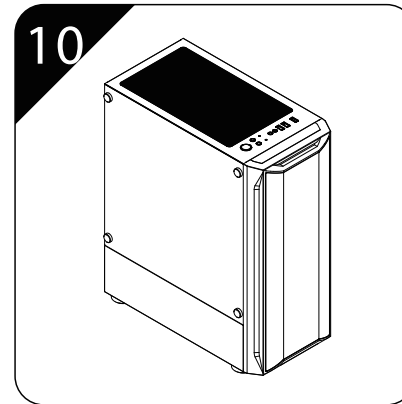
7 Install the top fan



8 Install graphics card



Connect the corresponding line



Lock the left and right side panels

Product display:

